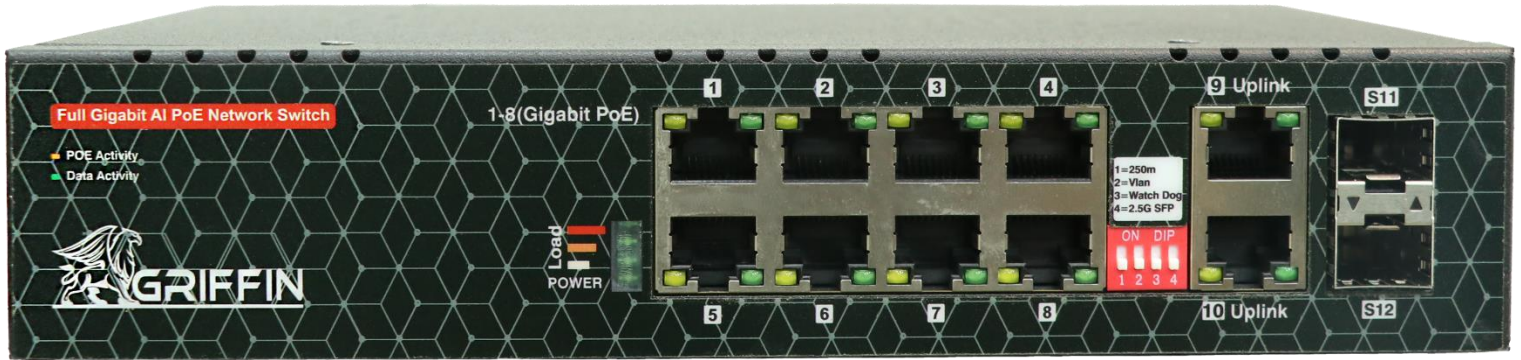
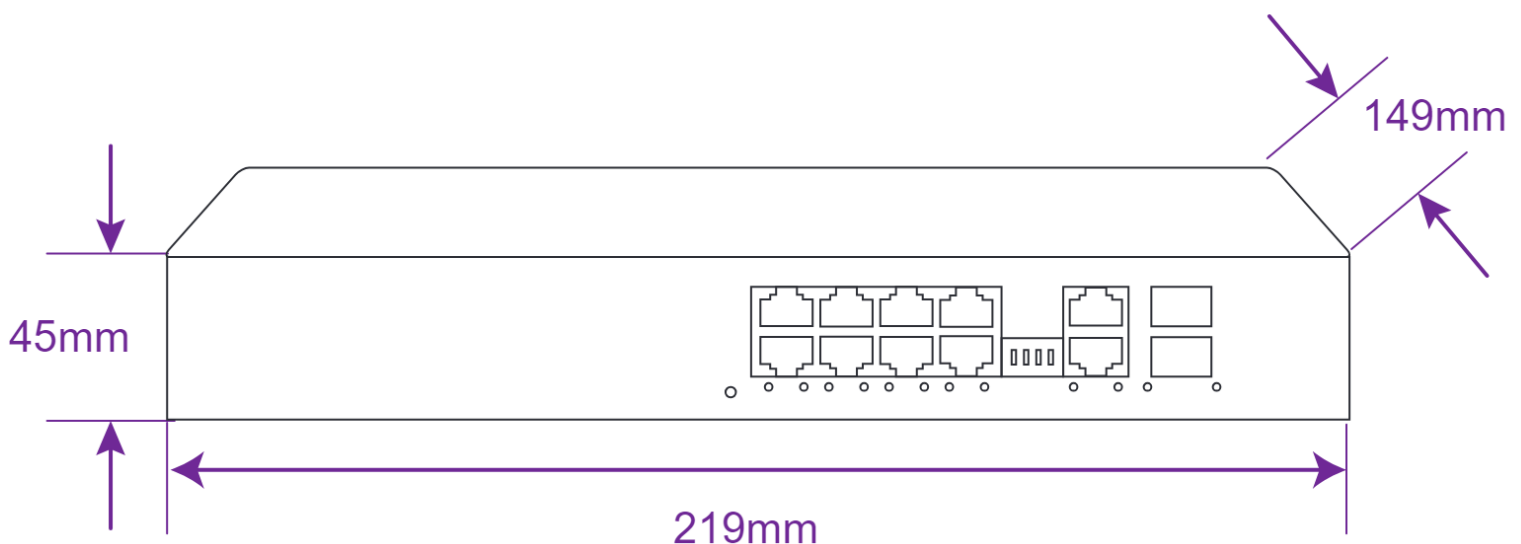


# GRIFFIN GF-GS0408RM Network Switch

Full Gigabit AI PoE Network Switch



- Total Port: 12 Port Full Gigabit
- Ethernet PoE Port: 8 Port Gigabit (Up to 200 Watt Max)
- SFP Uplink Port: 2 Port Gigabit - Ethernet Uplink Port: 2 Port Gigabit
- Internal Bandwidth: 24Gb - Processor Type: IC PLUS
- AI Dip Switch: Yes - AI Function: 250m Extend, VLAN, Watchdog, 2.5G SFP
- Cabling: 1000Base-TX: Cat6 UTP or above (100m) POE=120m
- Standard: IEEE802.3at, Each Port 25.5W
- Power: 110~240VAC - Mounting: Rack mount (1U)



Interfaces	Total Port	12 Ports
	Max POE Output	200 Watt
	POE Port Control	IC PLUS Chipset (IP808AR)
	Fast RJ45 PoE Port	N/A
	Gigabit RJ45 PoE Port	8 Port (Up to 200 Watt Max)
	Fast RJ45 Uplink Port	N/A
	Gigabit RJ45 Uplink Port	2 Port
	Gigabit SFP Uplink Port	2 Port
	Combo Uplink Port	N/A
	Power Transmit RJ45 Port	N/A
	AI Dip Switch	Yes
Network Performance	Standard	IEEE802.3x, IEEE802.3u, IEEE802.3az, IEEE802.3ab, IEEE802.3af, IEEE802.3at
	Protocols	CSMA/CD
	Speed	Ethernet 10Mbps (half duplex), 20Mbps (full duplex); 10BASE-T: 14,880bps/port Fast Ethernet 100Mbps (half duplex), 200Mbps (full duplex); 100BASE-TX: 14,880bps/port Gigabit Ethernet 1000Mbps (half duplex), 2000Mbps (full duplex); 1000BASE-TX: 1488000bps/port
	Cabling	10Base-TX: Cat5 or above (250m) POE=250m 100Base-TX: Cat6 UTP(120m) POE=150m 1000Base-TX: Cat6 UTP or above (100m) POE=120m
	Bandwidth	24Gb Internal Bandwidth
	MAC Table	32Kb
	Auto MDI-MDIX	Yes All Ports
	Console	N/A
	Transfer Pattern	Store & Forward
Hardware	Processor Type	IC PLUS
	LED Panel	POE Activity / Data Activity
	Main Board	Double Layer
	Case	Metal Case
	Mounting	Rack mount – 1U / Desktop
PD'S	IP Camera	Yes
	Router	N/A
	IP Phone	Yes
	(+)5/4, (-)8/7	Yes
	(+)2/1, (-)6/3	Optional
AI Function	250m Extend	By Setting Dip Switch Number 1 (P1-P8)
	VLAN	By Setting Dip Switch Number 2 (P1-P8)
	Watchdog	By Setting Dip Switch Number 3 (P1-P8)
	2.5G SFP	By Setting Dip Switch Number 4 (P1-P8)
General	IP Rating	IP51
	Web Language	N/A
	Dimension	219*149*45 mm
	Weight	1.2 kg
	Storage Temp	-20°C ~ +60°C / 10% ~ 90% RH
	Operation Temp	-15°C ~ +50°C / 10% ~ 90% RH
	Radiation Electromagnetic	EN55016
	LED	Ethernet Interfaces: 1000 LNK/ACT (Green), 10/100 LNK/ACT (Green) PoE Ethernet Interfaces: PoE-in-Use (af/at) 1000 LNK/ACT (Orange), 10/100 LNK/ACT (Green)
	MTBF	100K hrs min. MIL-HDBK-217F (25°)
Power Supply	Power	110~240VAC
	Redundant	N/A
	LED Power	Yes
	Power Cable	Available