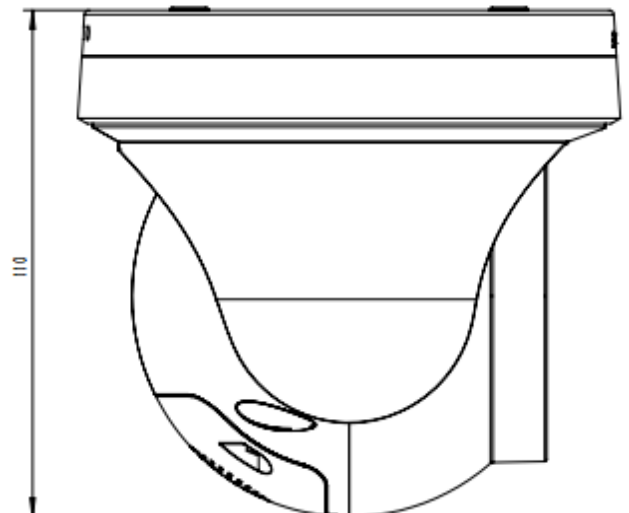
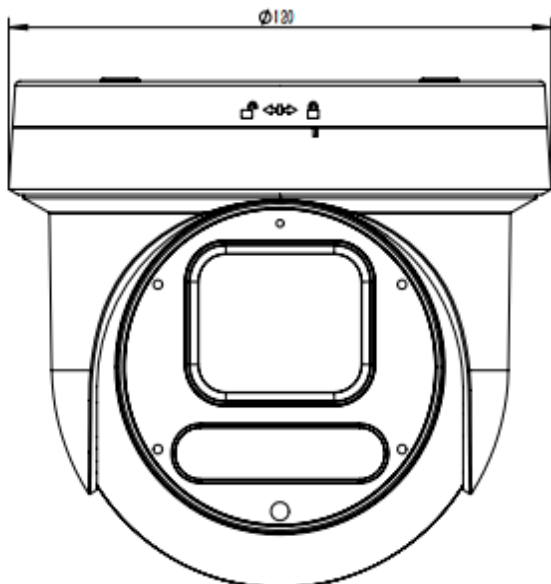


## GRIFFIN GF-IP4550SH-5X Network Camera

Fully-featured Dome PTZ, all-around 5MP surveillance



- resolution: 5 megapixel - StarLight
- Image Sensor: 1/2.8" Progressive Scan SONY IMX335
- CPU: SigmaStar SSC338Q
- Frame Rate: 30fps@5MP (2592\*1944), 30fps@4MP, 30fps@2MP - Dual Streams
- Video Compression: H.264 / H.265
- Lens: 2.7 ~ 13.5mm Motorized Fast Auto Focus Lens ( 5X Motorize Zoom ) – 10X Digital Zoom
- Picture Function: 120db WDR , 2D/3D-DNR , ROI
- Memory Slot: Micro SD (256Gb Max)
- Pan Range: 0°~280° Endless - Tilt Range: -5°~90° - Pan Speed: 0°~15°/S - Tilt Speed: 0°~15°/S
- Number of Preset: 256 - Patrol: 8 - Pattern: 4 - Park Action: Yes
- Audio: Internal Mic, Internal Speaker - Alarm: Optional
- IR Distance: 50~60M Smart IR SMD Technology, 40~50M White light Technology
- Compatibility: Onvif Ver2.6, Profile S
- Power Supply: DC12V / PoE LAN
- IP Rating: IP67, IK10, 6KV Surge Protection



Camera	Image Sensor	5MP Starlight - 1/2.8" Progressive Scan SONY IMX335
	DSP	SigmaStar SSC338Q
	Lens	2.7 ~ 13.5mm Motorized Fast Auto Focus Lens ( 5X Motorize Zoom )
	Resolution	5MP (2592*1944)
	Available IR Range	50~60M Smart IR SMD Technology, 40~50M White light Technology
	D/N Filter	Dual Filter Switching
	Min Illumination	Color: 0.001 Lux(AGC on) - B/W: 0.0 Lux(IR on)
	PTZ	Pan Range: 0°~280° Endless - Pan Speed: 0°~15°/S Tilt Range: -5°~90° - Tilt Speed: 0°~15°/S Number of Preset: 256 - Patrol: 8 - Pattern: 4 - Park Action: Yes
	StarLight View	Yes-Color
Picture Adjust	Picture Function	120db WDR, BLC, 2D/3D-DNR, ROI
	Digital Zoom	10X
	Shutter Speed	Manual (1/8 ~ 1/30.000), Auto, Iris Priority, Shutter Priority
	Image Parameter Control	Adjust 0 ~ 100
	D/N Control	Timing, Auto, Color on, Color off
	Image Parameter	Saturation, Brightness, Contrast, Sharpness, Hue
Video Audio	Video Compression	H.264 , H.265
	Audio Compression	G711A, G711U
	Frame Rate(60Hz)	30fps@5MP (2592*1944), 30fps@4MP (2560*1944), 30fps@2MP (1920*1080)
	Transmission Stream	Dual Stream (Code Rate: 32kb-10240kb)
Network	Protocols	TCP/IP, ICMP, HTTP, HTTPS, FTP, DHCP, DNS, DDNS, Port Mapping, RTSP, Email, PPPoE, NAT, UPnP, SNMP, IPV4 ,IPV6, Platform Access
	Compatibility	Onvif Ver2.6, Profile S, CGI, SDK, API
	Max Users	10 Users
	Streaming Method	Unicast, Multicast
	Web Viewer	Internet Explorer
	Recording Software	Unlimited CMS/VMS 128CH Per Monitor
	Smart Device	IOS, Android Phone & Tablet
Function	Recording	FTP, NVR, CMS, NAS, SD Card
	Record Type	Schedule, Timing, Motion Detection, Alarm, Capture
	Alarm Triggers	All Intelligent Function
	Event Action	Email, Snapshot, Recording, Alarm Out, Notify Surveillance Center, Audible Warning, Trigger Channel
	Intelligent Function	Motion Detection, Video Tampering, Face Detection, Human Shape Detection, Car And Non car
Interface	Network	RJ45(10/100mbps)
	Audio	Internal Mic, Internal Speaker, Optional (Audio In, Audio Out)
	Alarm	Optional (Alarm In, Alarm Out)
	CVBS	N/A
	Power	PoE LAN, DC12V
	Memory Slot	Micro SD (256Gb Max)
General	IP Rating	IP67, IK10 , 6KV Surge Protection
	Power Supply	DC12V/1A
	POE Supply	IEEE802.3af - Max 12Watt
	Dimension	120*110 mm
	Weight	0.5 Kg
	Operation Humidity	Max Up to 95%RH(Non Condensing)
	Operation Temp	-35°C ~ +65°C
	MTBF	100K hrs min. MIL-HDBK-217F (25°)