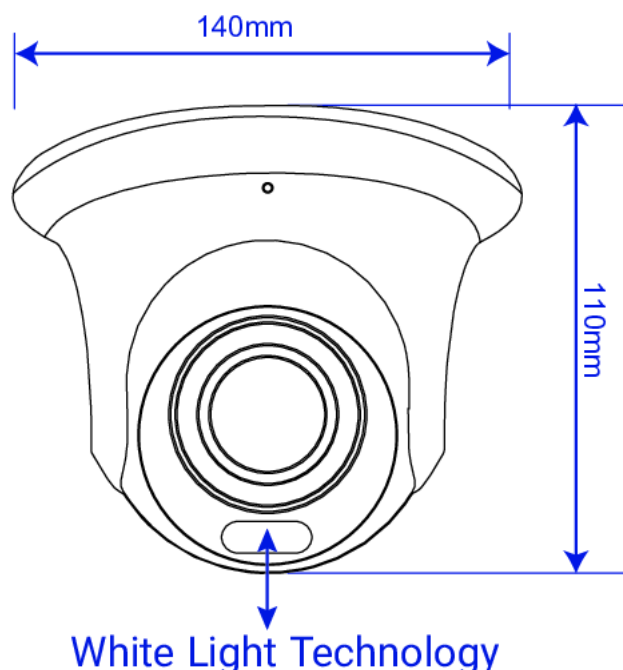


## GRIFFIN GF-IM16PRE50SH-5X Network Camera

Featured and smart, all-around 5MP surveillance



- resolution: 5 Megapixel - Star Light
- Image Sensor: 1/2.8" Progressive Scan SONY IMX335
- CPU: HiSilicon 3516EV300
- Frame Rate: 30fps@ 5MP(2592\*1944), 30fps@4MP, 30fps@3MP, 30fps@2MP - Triple Streams
- Video Compression: H.264 / H.264+ / H.265 / H.265+, Smart Event Codec
- Lens: 2.7 ~ 13.5mm Motorized Fast Auto Focus Lens ( 5X Motorize Zoom )
- Picture Function: 120 db WDR/DWDR, 2D/3D DNR, BLC, HLC, ROI, Defog
- Memory Slot: Micro SD (256Gb Max) - ANR Support
- Audio: Audio In, Audio Out or Internal Mic
- IR Distance: 40 ~ 50m Smart IR SMD Technology (Smart White light Technology)
- Compatibility: Onvif Ver2.6, Profile S
- Power Supply: 12V DC / PoE IEEE802.3af
- IP Rating: IP67, 2KV Surge Protection
- Intelligent Function: Line Crossing, Area Intrusion, Region Entrance, Region Exiting, Fast Moving, Motion Detection, Video Shelter



Camera	Image Sensor	5MP Starlight - 1/2.8" Progressive Scan SONY IMX335
	DSP	HiSilicon 3516EV300
	Lens	2.7 ~ 13.5mm Motorized Fast Auto Focus Lens ( 5X Motorize Zoom )
	Resolution	2592*1944 (5MP)
	Available IR Range	40~50M Smart IR SMD Technology (Smart White light Technology)
	D/N Filter	IR Cut Filter Switch (ICR)
	Min Illumination	Color: 0.01 Lux(AGC on) - B/W: 0.0 Lux(IR on)
	Angle of View	H-FOV: 25°~99° , V-FOV: 19°~81° , D-FOV: 31°~113°
	Star Light View	Yes-Color
Picture Adjust	Picture Function	120 db WDR/DWDR, 2D/3D DNR, BLC, HLC, ROI, Defog
	Shutter Speed	Manual (1/3 ~ 1/10.000), Auto
	Image Parameter Control	Off, On, Timing (Adjust 0 ~ 255)
	D/N Control	Timing, Auto, Color on, Color off
	Image Parameter	Saturation, Brightness, Contrast, Sharpness, Hue
Video Audio	Video Compression	H.264+(Ultra H.264), H.265+ (Ultra H.265), Smart Event Codec
	Audio Compression	G.711A, G.711U
	Frame Rate(60Hz)	30fps@ 5MP(2592*1944), 30fps@4MP, 30fps@3MP, 30fps@2MP
	Transmission Stream	Triple Stream (Video Bit Rate:11 Kbps~10 Mbps)
Network	Protocols	TCP/IP (V4, V6), ICMP, HTTP, HTTPS, FTP, DHCP, DNS, DDNS, RTP, RTSP, RTCP, NTP, IGMP, UPnP, SMTP, UPnP-TM, P2P, Bonjour, SNMP (V1, V2, V3), UDP, NAT, Multicast, RTMP
	Compatibility	Onvif Ver2.6, Profile S, CGI, SDK, API
	Max Users	10 Users
	Streaming Method	Unicast, Multicast
	Web Viewer	Internet Explorer
	Recording Software	Unlimited CMS/VMS 128CH Per Monitor
	Smart Device	IOS, Android Phone & Tablet
Function	Recording	FTP, NVR, CMS, NAS, SD Card, ANR
	Record Type	Manual, Motion Detection, Smart Detection, Schedule
	Alarm Triggers	All Intelligent Function
	Event Action	Email, PTZ, Snapshot, Recording, Buzzer, Pop up, Show Message, Smart Light
	Intelligent Function	Line Crossing, Area Intrusion, Region Entrance, Region Exiting, Fast Moving, Motion Detection, Video Shelter
Interface	Network	RJ45(10/100mbps)
	Audio	Audio In, Audio Out or Internal Mic
	Alarm	N/A
	CVBS	N/A
	Power	PoE LAN, DC In
	Memory Slot	Micro SD (256Gb Max) - ANR Support
General	IP Rating	IP67, 2KV Surge Protection
	Power Supply	DC12V ± 10%
	POE Supply	IEEE802.3af - Max 10Watt
	Dimension	140*110 mm
	Weight	765 g
	Operation Humidity	Max Up to 95%RH(Non Condensing)
	Operation Temp	-40°C ~ +70°C
	MTBF	100K hrs min. MIL-HDBK-217F (25°)